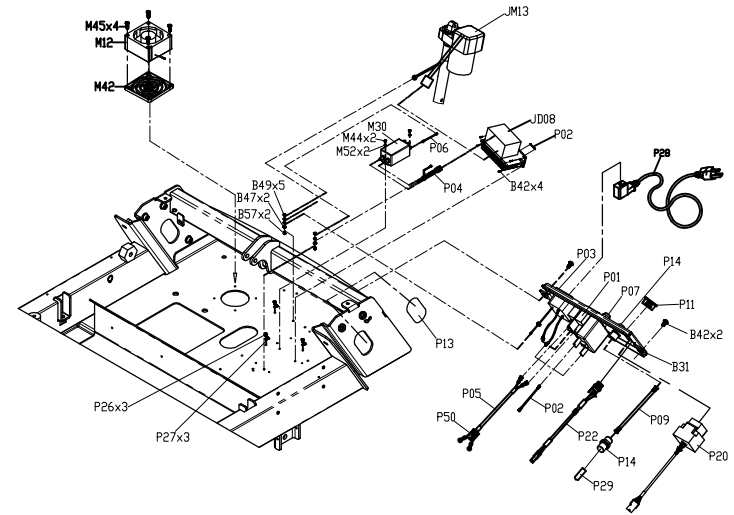
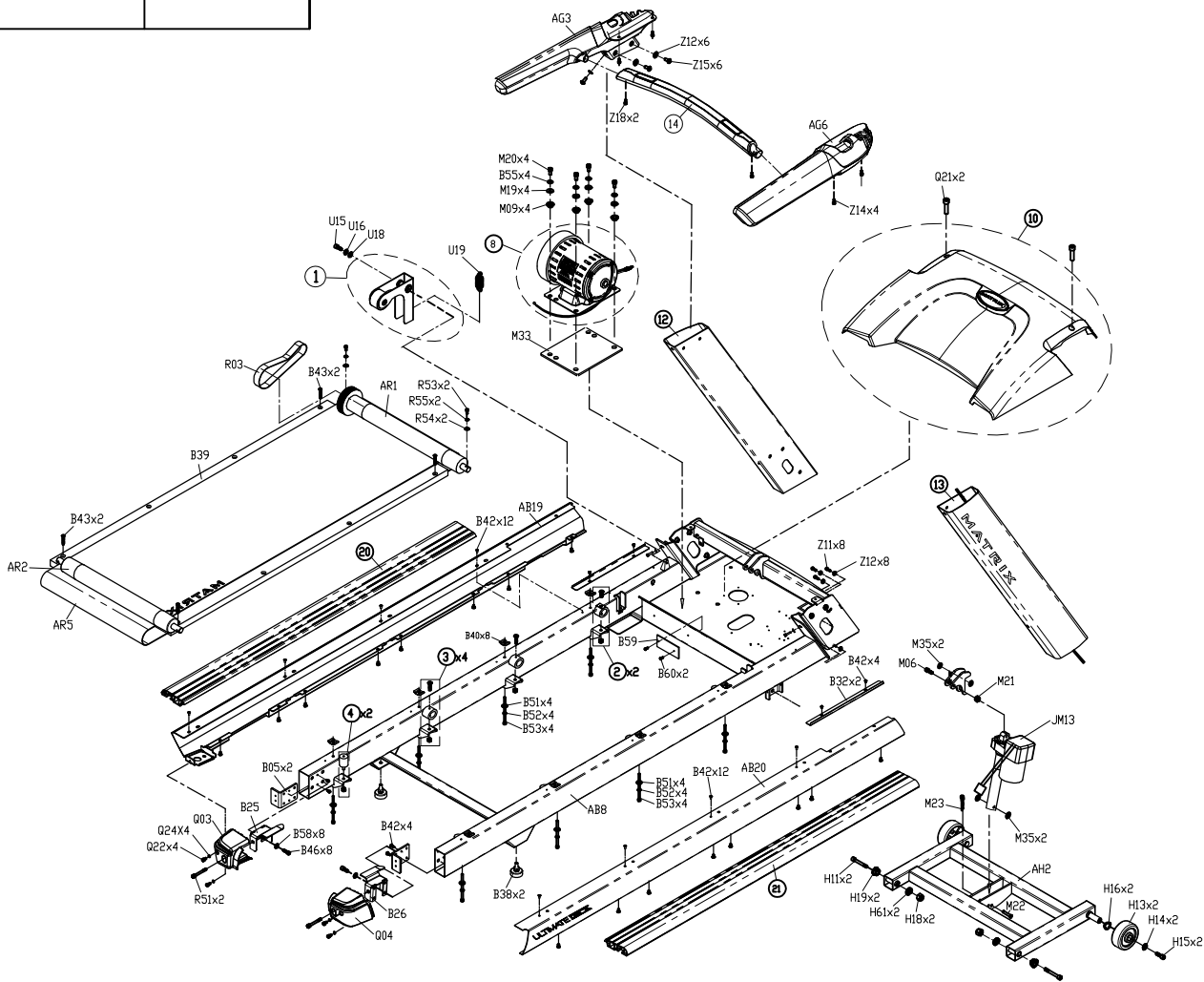
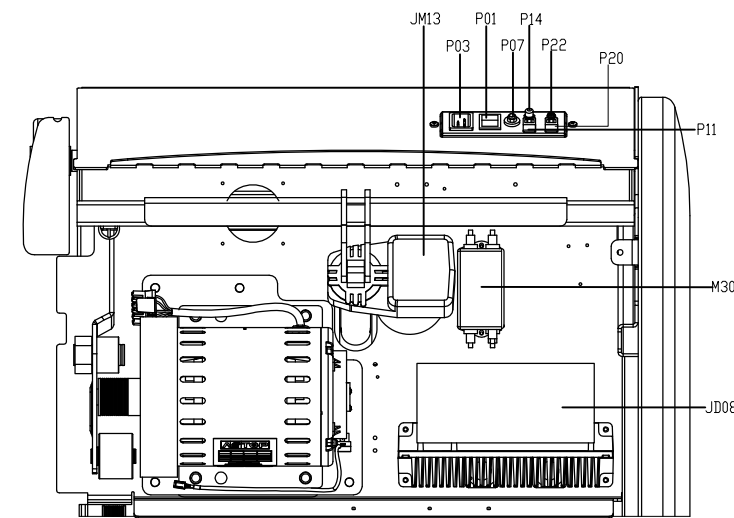


DRAWING NO	TM523-A04
PART NAME	Explosive Rendering
PART NO	1000229083
APPROVE	Kenny
DATE	061812

SAP NO.	Model Name
MTM0312-00	T-3x-04-F/1US

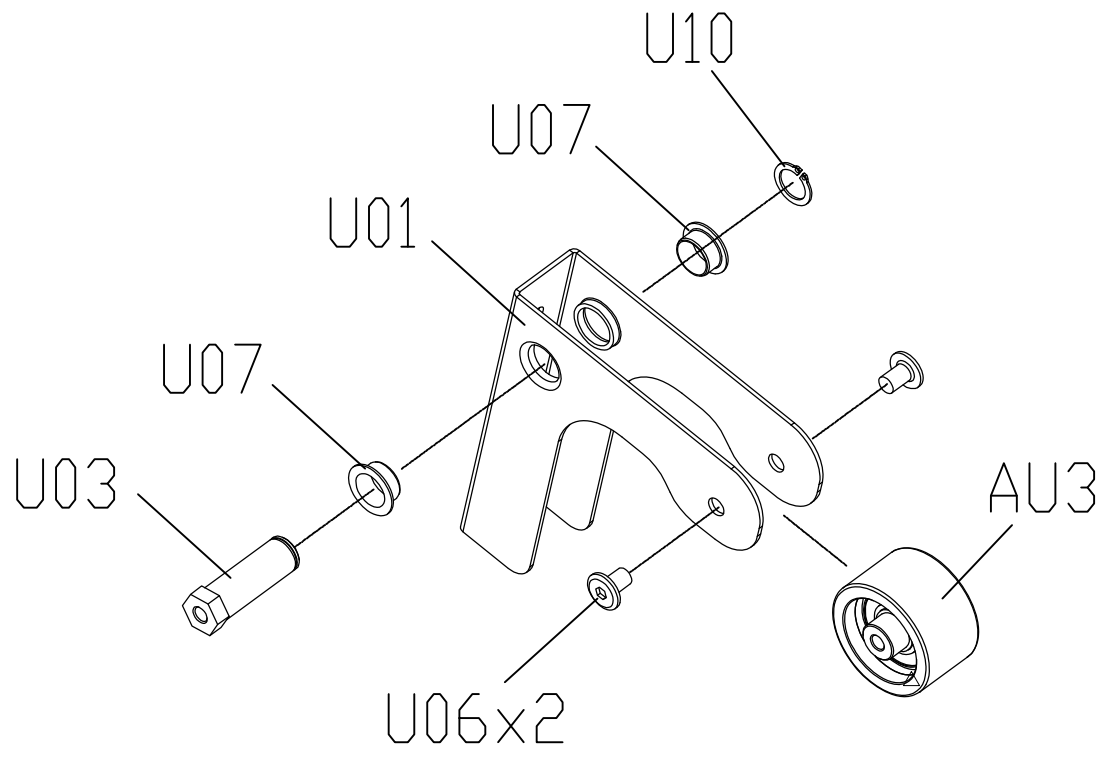


Detail View of Electrical Components

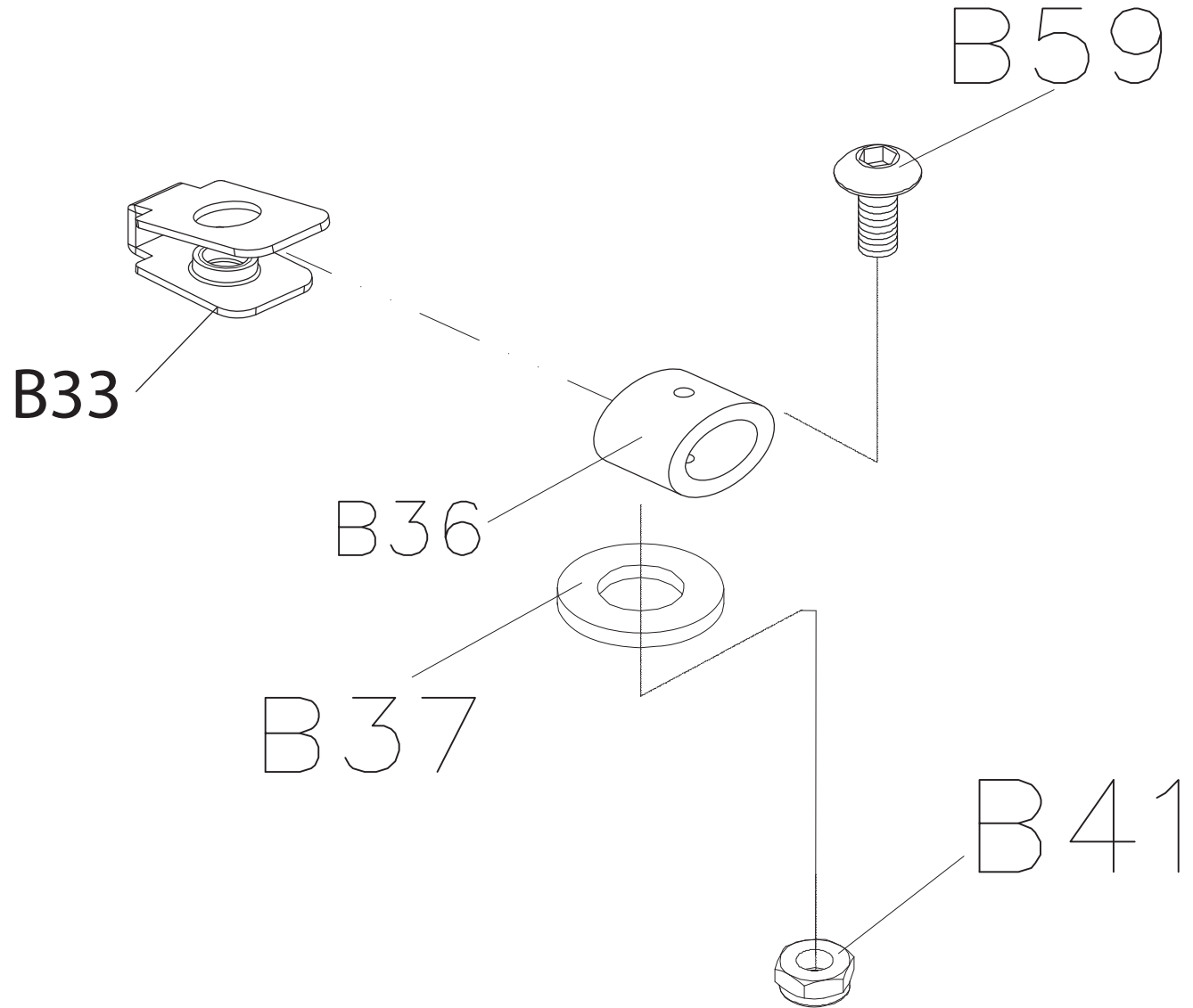



Top View of Electrical Components

DRAWING NO	TM512-AU2		
PART NAME	Fix Plate Set;Idler		
PART NO	0000093522		
APPROVE	SHUYI	DATE	010612

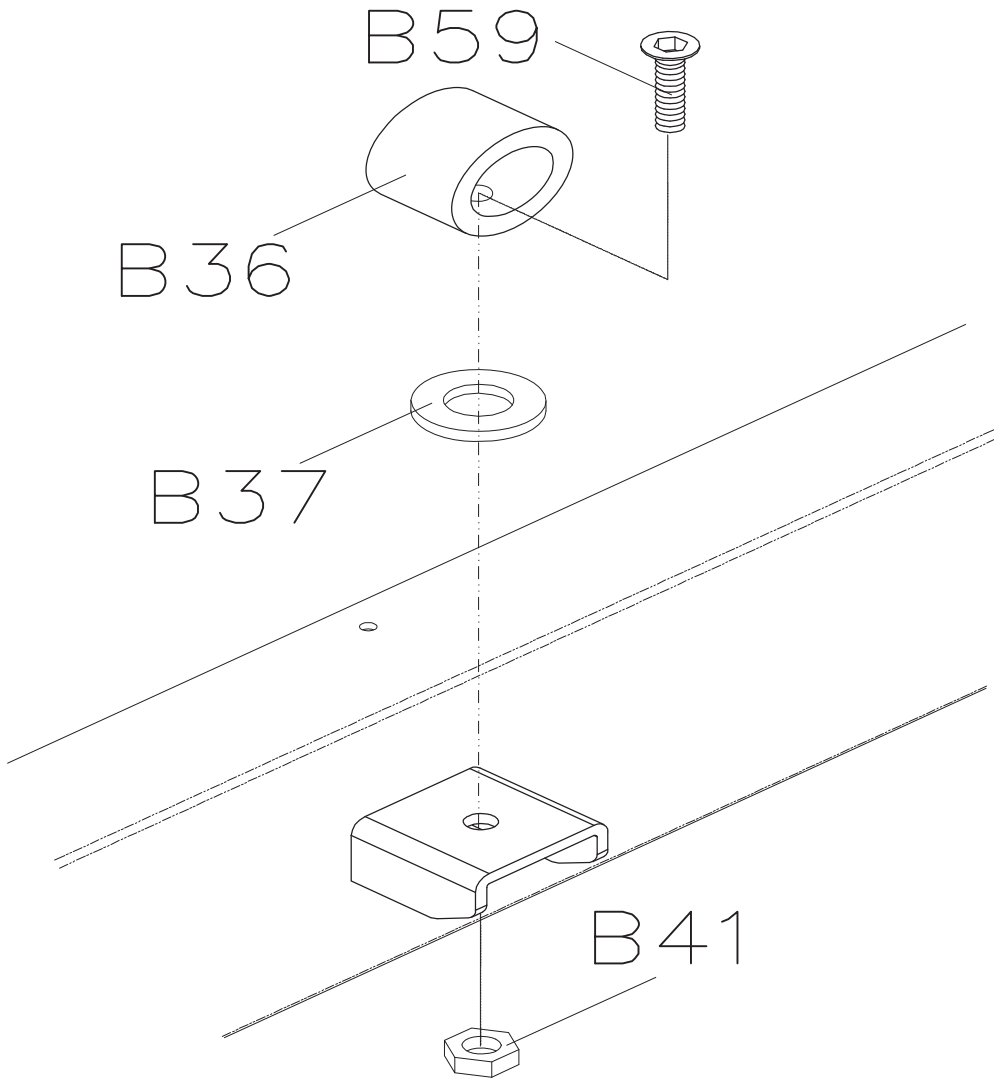


DRAWING NO	TM507-AB20		
PART NAME	Elastomer Set;Running Deck;Front		
PART NO	As Attachment D		
APPROVE	S.T.C	DATE	092110

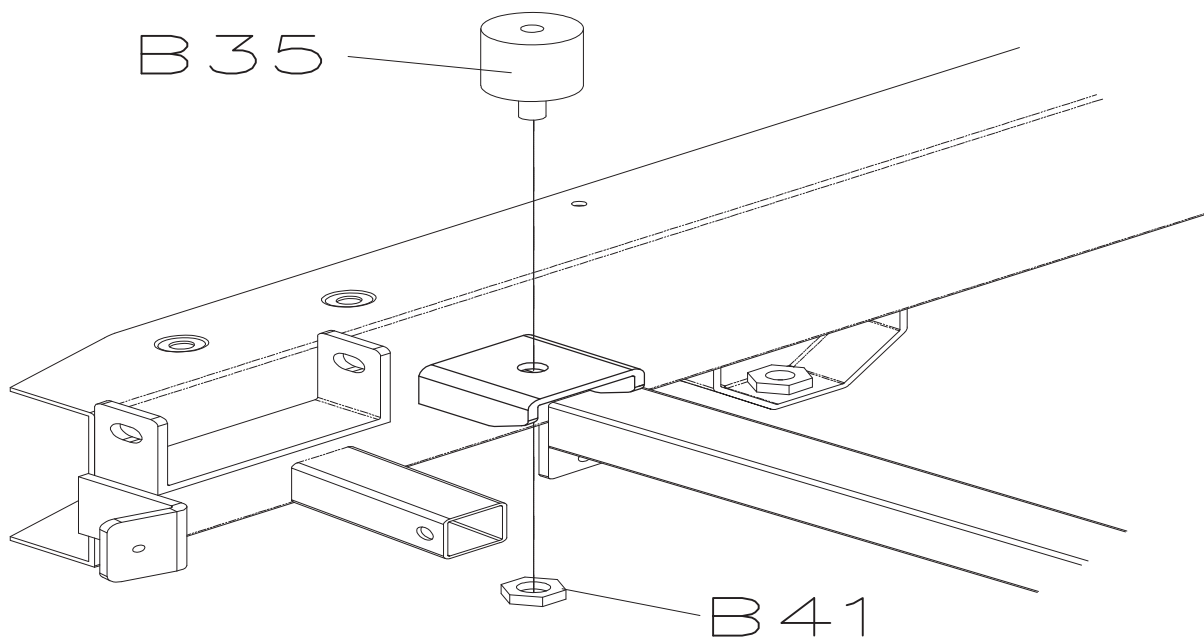


DRAWING NO	TM507-AB21		
PART NAME	Elastomer Set;Running Deck;Middle		
PART NO	As Attachment  C		
APPROVE	S.T.C	DATE	092110

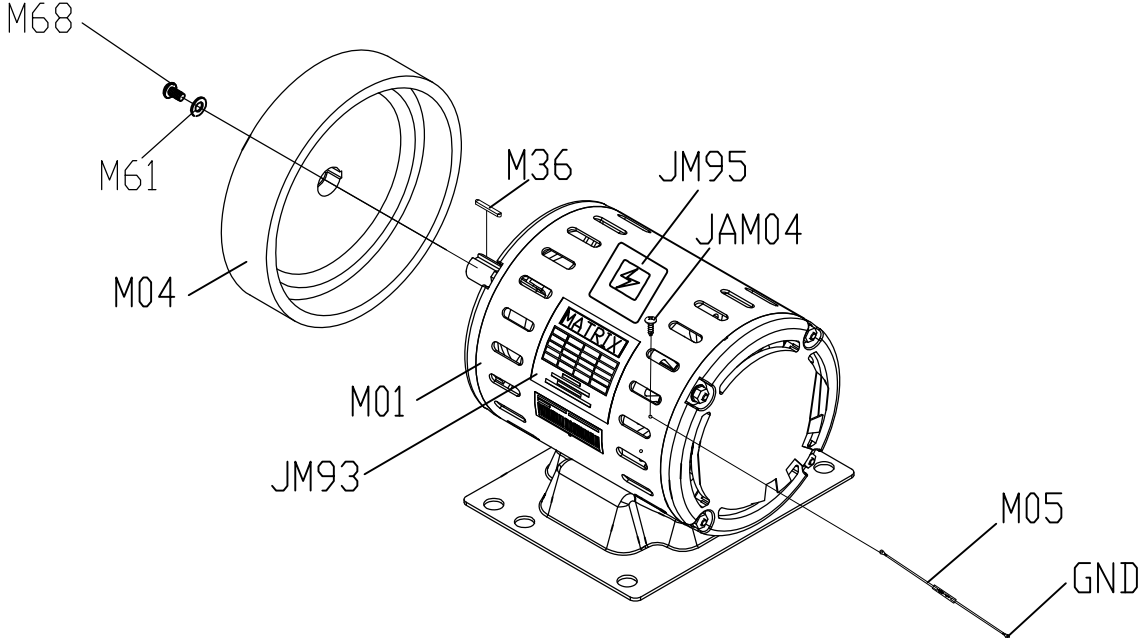
Part No.	Description
0000093039	Miner
0000095662	Nai Ri



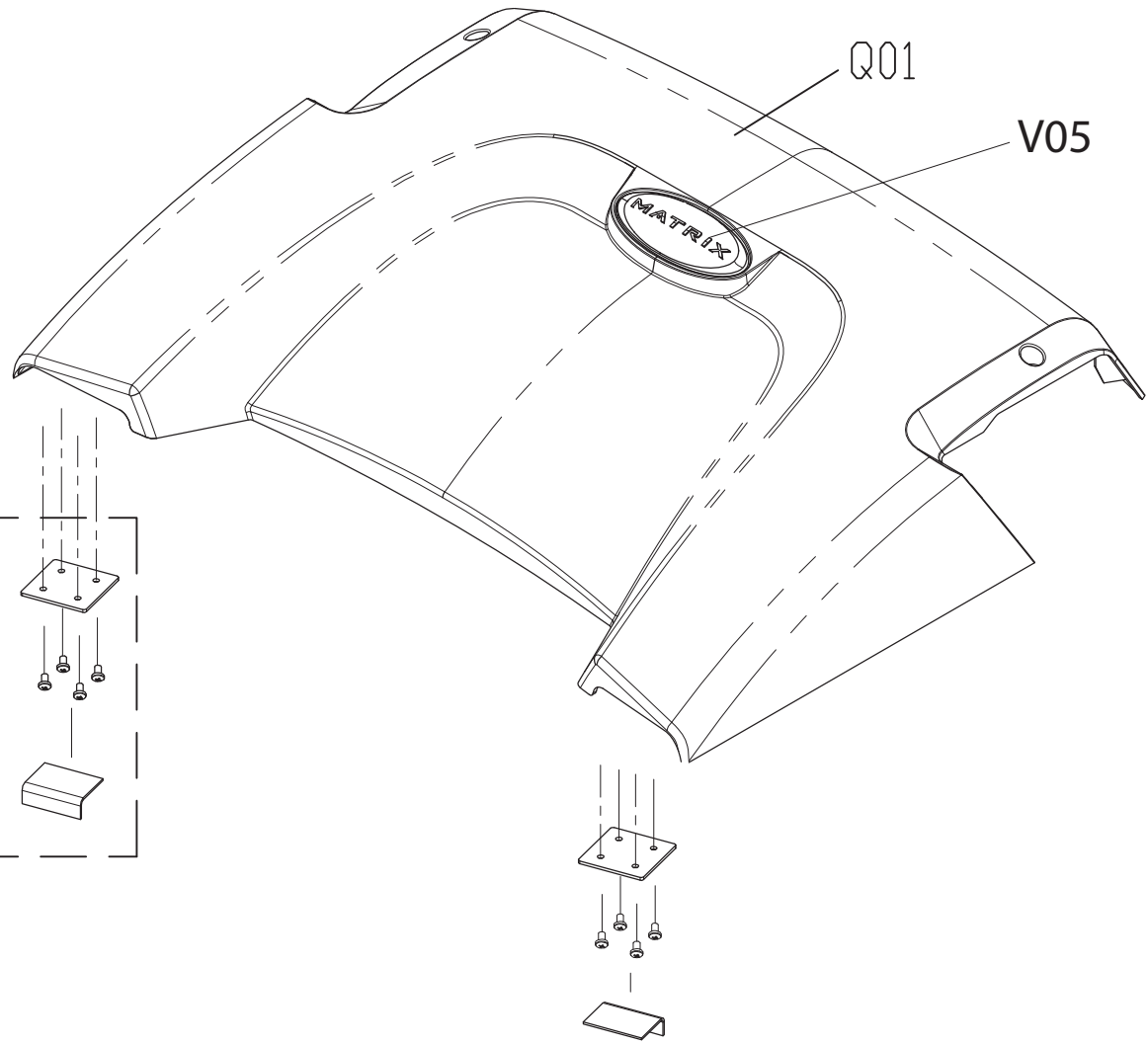
DRAWING NO 圖號	TM507-AB22
PART NAME(CH) 零件名稱(中文)	系愛徑墊組;跑包板;後
PART NAME(EN) 零件名稱(英文)	Elastomer Set;Running Deck;Back
SAP PART NO SAP料號	0000091092 B



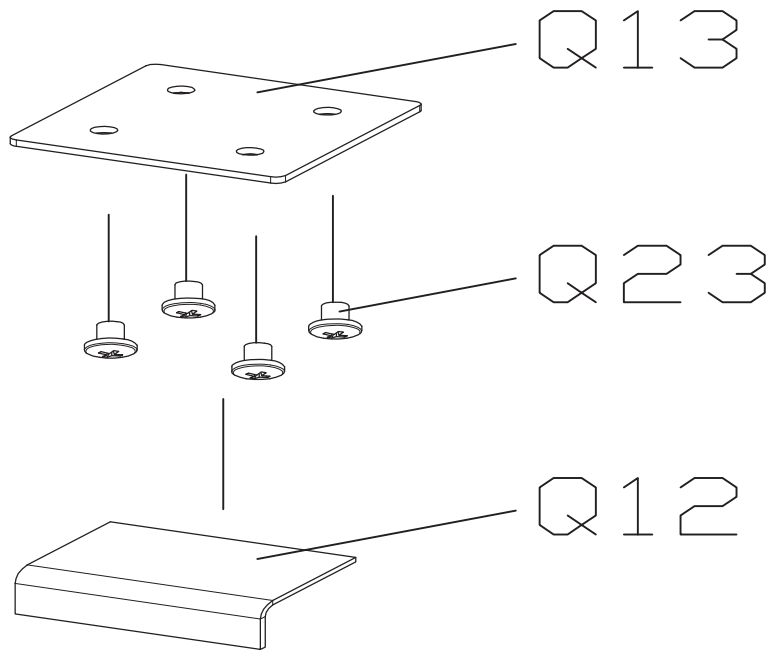
DRAWING NO	TM509B-AM1
PART NAME	Motor Set
PART NO	1000207849
APPROVE	SUNNY
DATE	113011



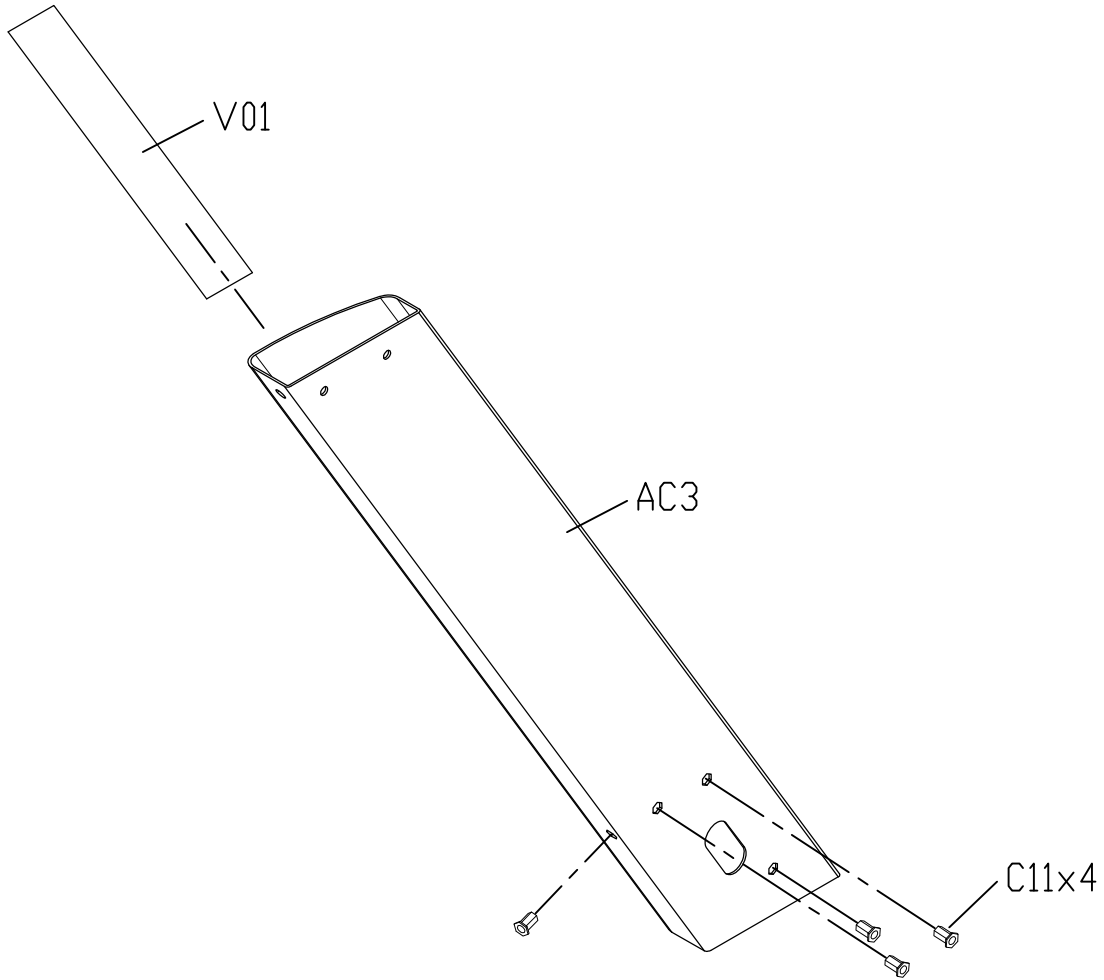
DRAWING NO	TM507-AQ1
圖號	TM507-AQ1
PART NAME(CH)	馬達上護蓋組
零件名稱(中文)	馬達上護蓋組
PART NAME(EN)	Motor Cover Set
零件名稱(英文)	Motor Cover Set
SAP PART NO	0000091087
SAP料號	0000091087



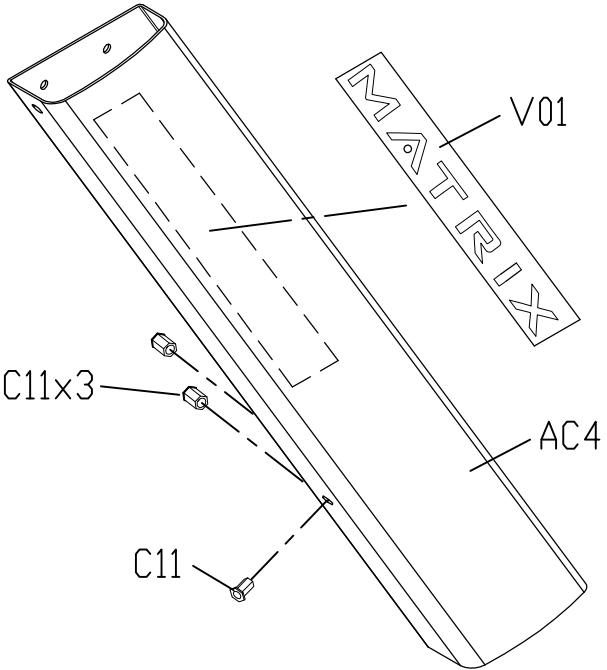
DRAWING NO 圖號	TM507-AQ2
PART NAME(CH) 零件名稱(中文)	魔鬼黏占系組
PART NAME(EN) 零件名稱(英文)	Velcro Set
SAP PART NO SAP料號	0000093024/A



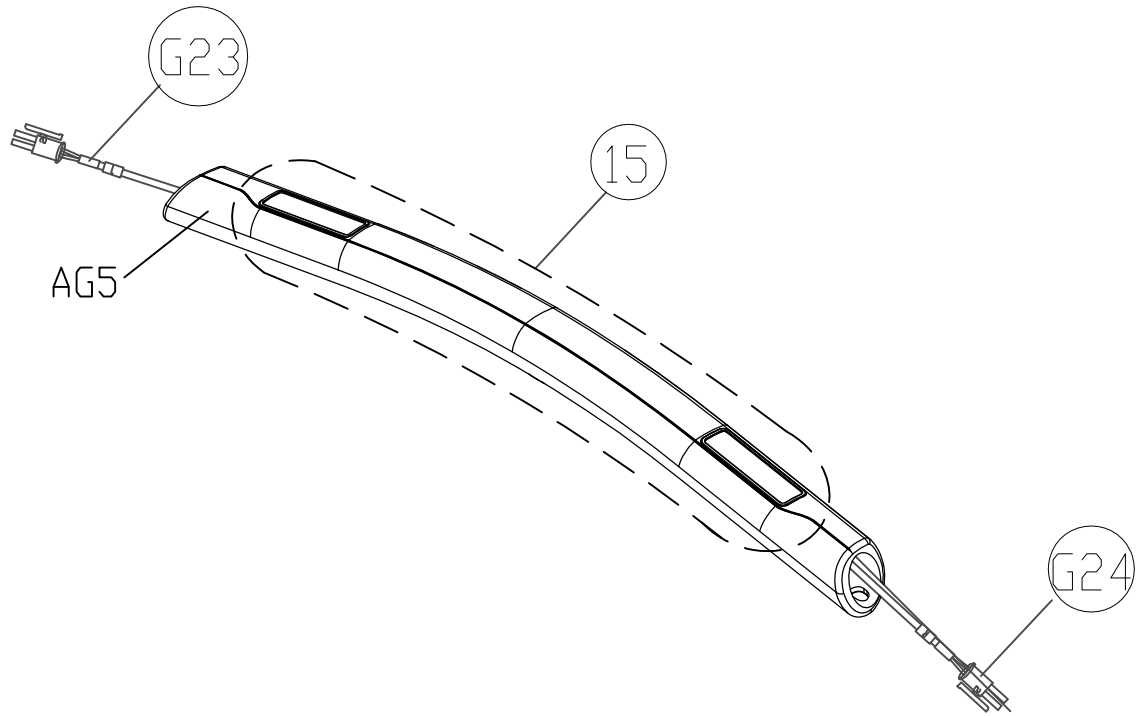
DRAWING NO 圖號	TM507-AC13
PART NAME(CH) 零件名稱(中文)	儀錶架組;左
PART NAME(EN) 零件名稱(英文)	Console Mast Set;Left
SAP PART NO SAP料號	0000087208 A



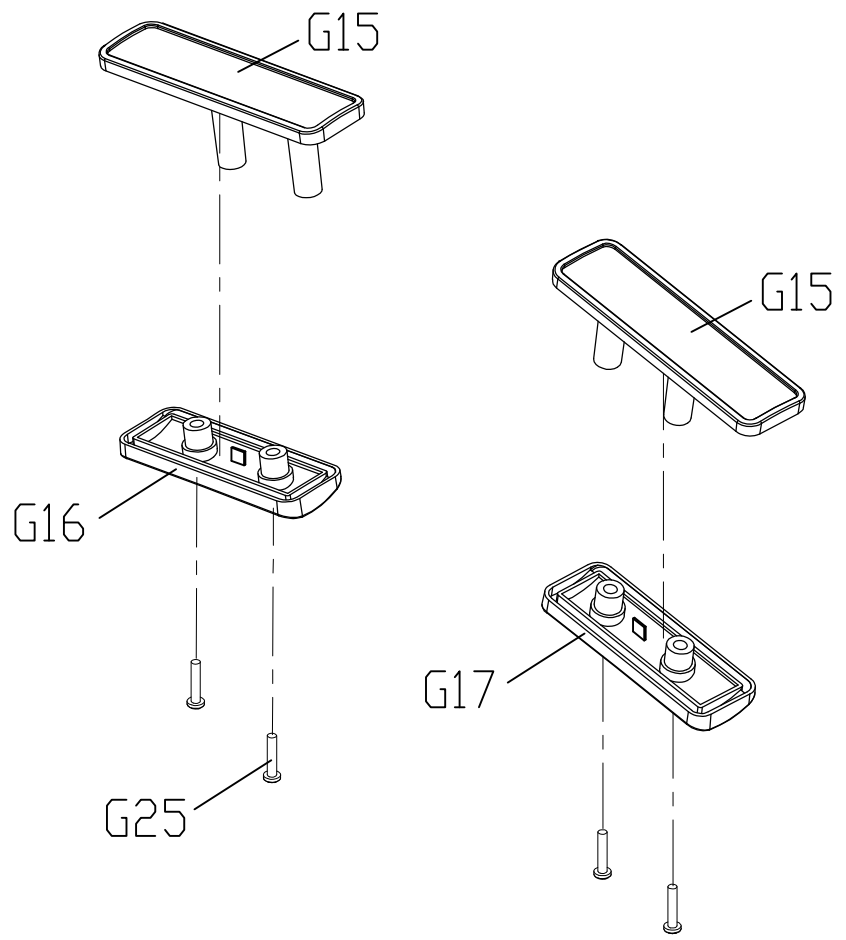
DRAWING NO 圖號	TM507-AC14
PART NAME(CH) 零件名稱(中文)	儀錶木罩組;右
PART NAME(EN) 零件名稱(英文)	Console Mast Set;Right
SAP PART NO SAP料號	0000087204 A



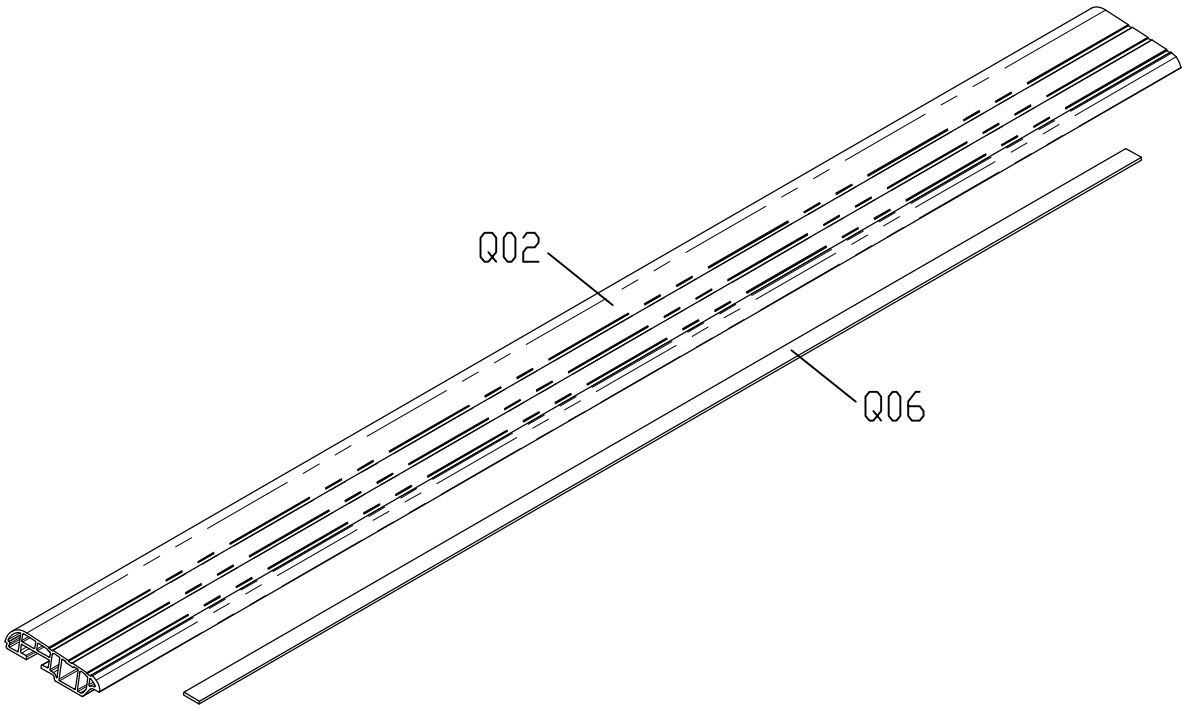
DRAWING NO	TM523-AG15		
PART NAME	Handlebar Set		
PART NO	1000231011 <small>REV</small> B		
APPROVE	SHUYI	DATE	010313



DRAWING NO	TM509-AG10
圖號	
PART NAME(CH)	握管組;感應器
零件名稱(中文)	
PART NAME(EN)	Grip Tube Set;Sensor
零件名稱(英文)	
SAP PART NO	0000093038
SAP料號	0000093038



DRAWING NO	TM523-AQ3		
PART NAME	Side Rail Set;Left		
PART NO	1000229317		B
APPROVE	SHUYI	DATE	010313



DRAWING NO	TM523-AQ4		
PART NAME	Side Rail Set;Right		
PART NO	1000229305		
APPROVE	SHUYI	DATE	010313

